

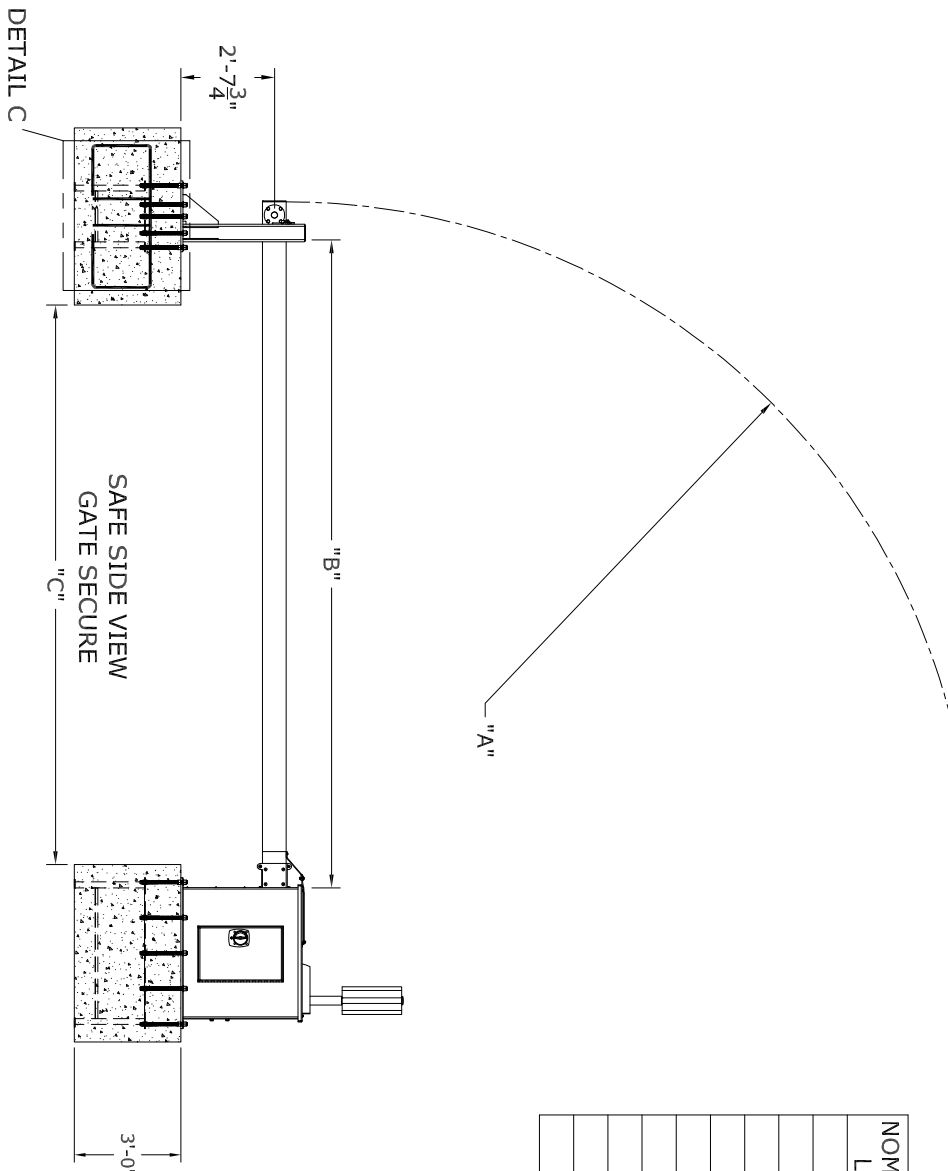
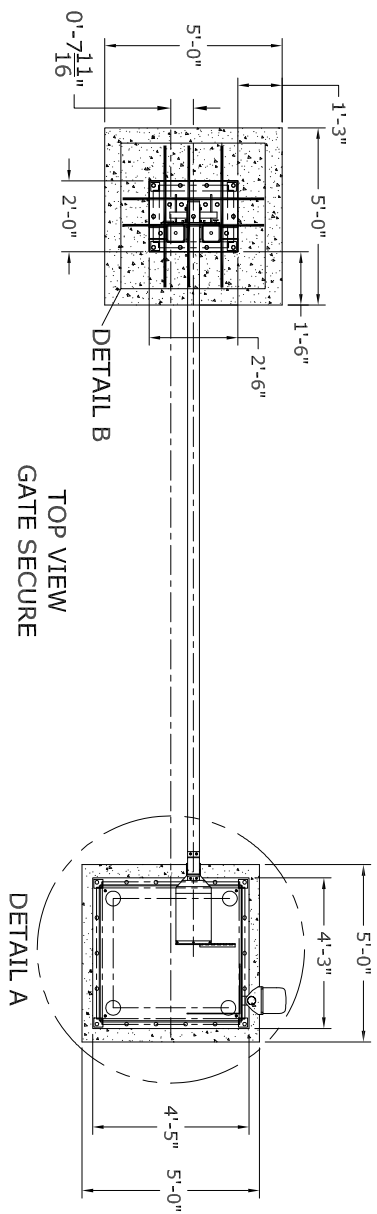
PROPRIETARY  
INFORMATION



1555 N. Mingo  
Tulsa, OK 74116  
1-888-333-3422  
www.ameristarinc.com

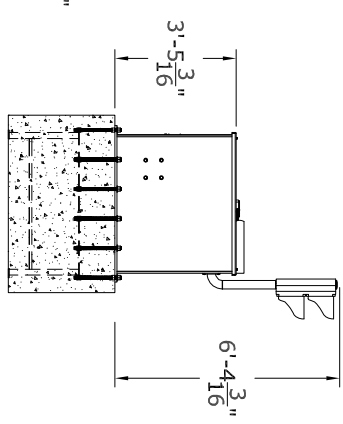
This drawing is the property of Ameristar, Inc. and is not to be duplicated or used in whole or in part for the making of drawings, prints or plans without the written consent of Ameristar, Inc. In accepting this drawing, the recipient agrees to keep the information contained herein confidential.

TITLE: M530 FOUNDATION TEMPLATE		SHEET: 1/1	
DATE:	SCALE:	CHK BY: xxxxxxxxx	REV: a
DRN BY:	DRAWING NO:		



NOM. OPENING LENGTH	CLEARANCE RADIUS "A"	HOUSING SEPARATION "B"	FOUNDATION SEPARATION "C"
12'	13' 3"	12'- 3"	9'- 10"
14'	15' 3"	14'- 3"	11'- 10"
15'	16' 3"	15'- 3"	12'- 10"
16'	17' 3"	16'- 3"	13'- 10"
17'	18' 3"	17'- 3"	14'- 10"
18'	19' 3"	18'- 3"	15'- 10"
19'	20' 3"	19'- 3"	16'- 10"
20'	21' 3"	20'- 3"	17'- 10"
22'	23' 3"	22'- 3"	19'- 10"

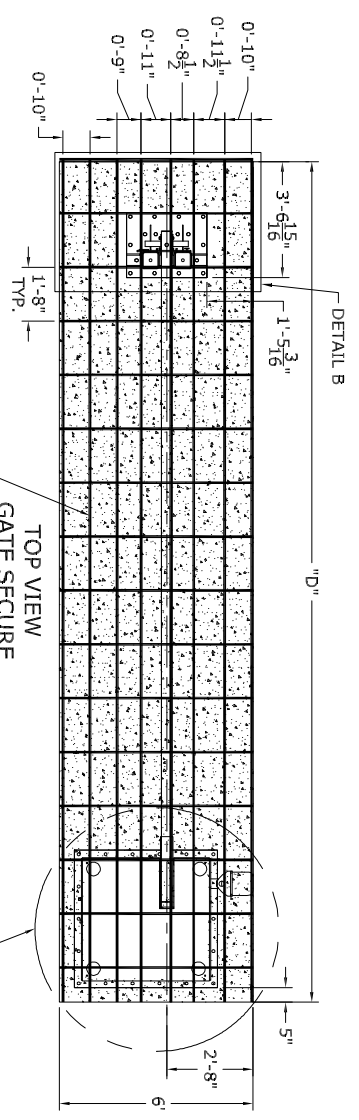
CONCRETE SHOULD BE MINIMUM 4,000 PSI COMPRESSIVE STRENGTH



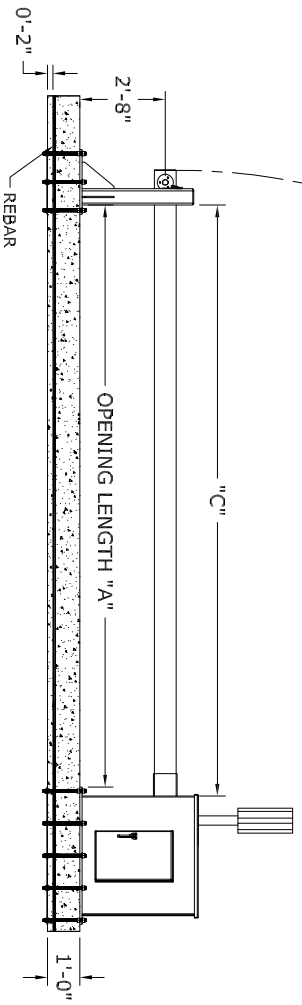
**PROPRIETARY INFORMATION**  
 This drawing is the property of AMERISTAR, INC. and is not to be duplicated or used in whole or in part for the making of drawings, parts or other documents without the written consent of AMERISTAR, INC. In accepting this drawing, the recipient agrees to keep the information confidential.

**AMERISTAR** ©  
 1555 N. Mingo  
 Tulsa, OK 74116  
 1-888-333-5422  
 www.ameristarinc.com

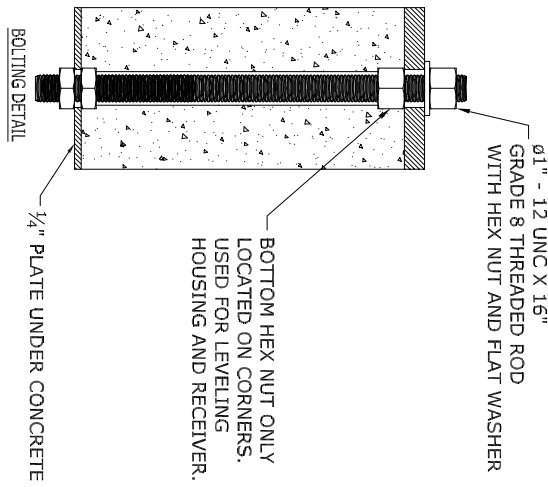
**TITLE:** 530 DROP ARM  
**DATE:**  
**SCALE:**  
**DRN BY:** CHK BY: xxxxxxxxx  
**SHEET:** 1/1  
**REV:** a  
**DRAWING NO.:**



THIS FOUNDATION REQUIRES A SINGLE LAYER OF #8 REBAR AT THE DIMENSIONS LISTED LONG WAY AND 20" CENTERS FRONT TO BACK ON THE BOTTOM FACE OF THE SLAB, 2" CONCRETE COVER TO THE BOTTOM FACE, RUNNING THE LENGTH OF THE SLAB (END TO END OF THE BARRIER). CONCRETE SHOULD BE MINIMUM 4,000 PSI COMPRESSIVE STRENGTH, WITH GRADE 60 REBAR.



HOUSING LENGTH "A"	NOM. OPENING RADIUS "B"	CLEARANCE SEPARATION "C"	CONCRETE "D"
10'	11' 1"	10' - 3"	18'
12'	13' 1"	12' - 3"	20'
14'	15' 1"	14' - 3"	22'
16'	17' 2"	16' - 3"	24'
18'	19' 2"	18' - 3"	26'
20'	21' 2"	20' - 3"	28'
22'	23' 2"	22' - 3"	30'



BOTTOM HEX NUT ONLY LOCATED ON CORNERS, USED FOR LEVELING HOUSING AND RECEIVER.

PROPRIETARY INFORMATION

This drawing is the property of Ameristar, Inc. and is not to be duplicated or used in whole or in part for the making of drawings, prints or plans without the written consent of Ameristar, Inc. In accepting this drawing, the recipient agrees to keep the information contained herein confidential.

**AMERISTAR**

1555 N. Mingo  
Tulsa, OK 74116  
1-888-333-3422  
www.ameristarfire.com

TITLE: M530 REBAR

DATE: SCALE: SHEET: 1/1

DRN BY: CHK BY: REV: a

DRAWING NO: