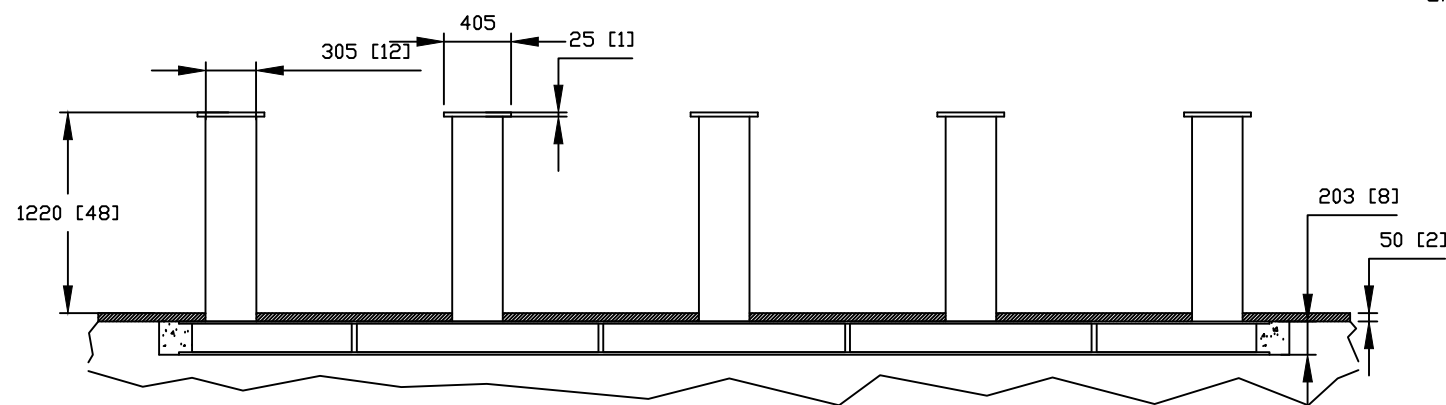
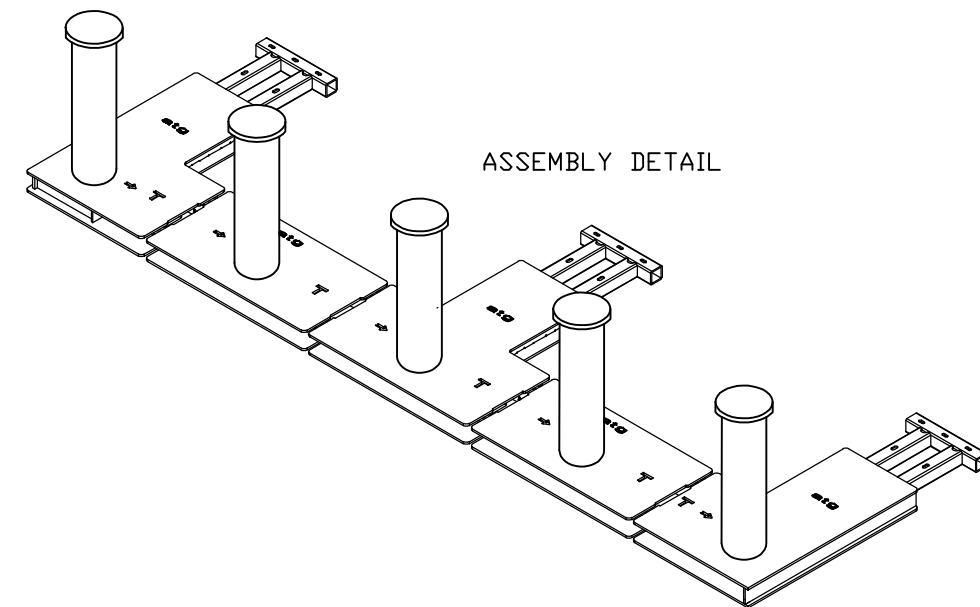


ASTM Graded Material




Graded Material

Loose cover, no structural impact

Bollard Wall Thickness 40mm

◀ DIRECTION OF IMPACT

<p>PROPRIETARY INFORMATION</p> <p>This drawing is the proprietary property of AMERISTAR, Tulsa, OK and must not be duplicated or used in whole or in part for the making of drawings, prints or parts to the detriment of, or harm to, the owner. In accepting this drawing, the recipient agrees to keep the information contained confidential.</p>			<p>1555 N. Mingo Tulsa, OK 74116 1-888-333-3422 www.ameristarfence.com</p>
	<p>TITLE: K12 SHALLOW MOUNT GENERAL LAYOUT</p>		
	<p>DATE: 05/08/13</p>	<p>SCALE: DNS</p>	<p>SHEET: 1/1</p>
	<p>DRN BY: DM</p>	<p>CHK BY: xxxxxxxxx</p>	<p>REV: a</p>
<p>DRAWING NO: 26021</p>			