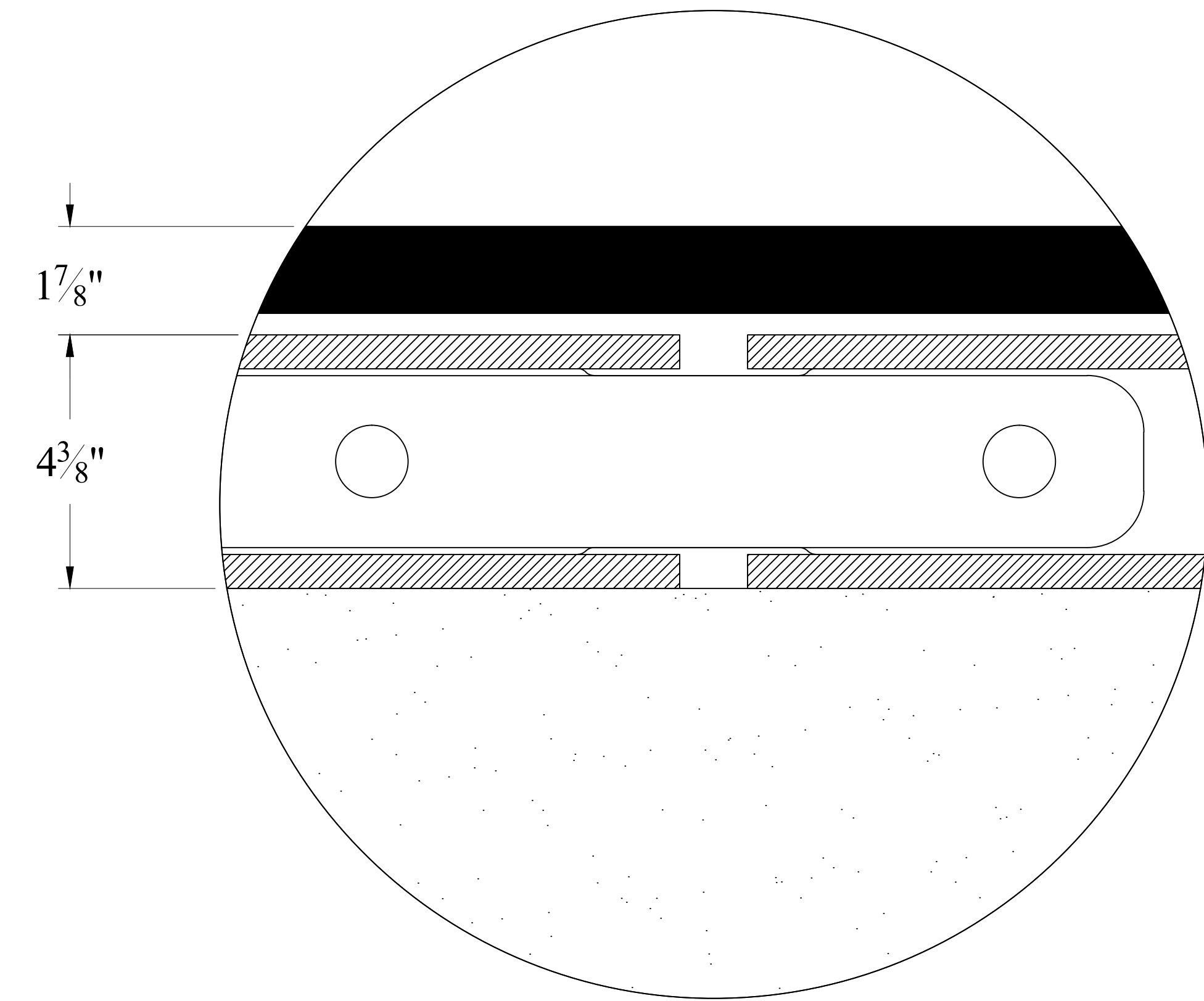
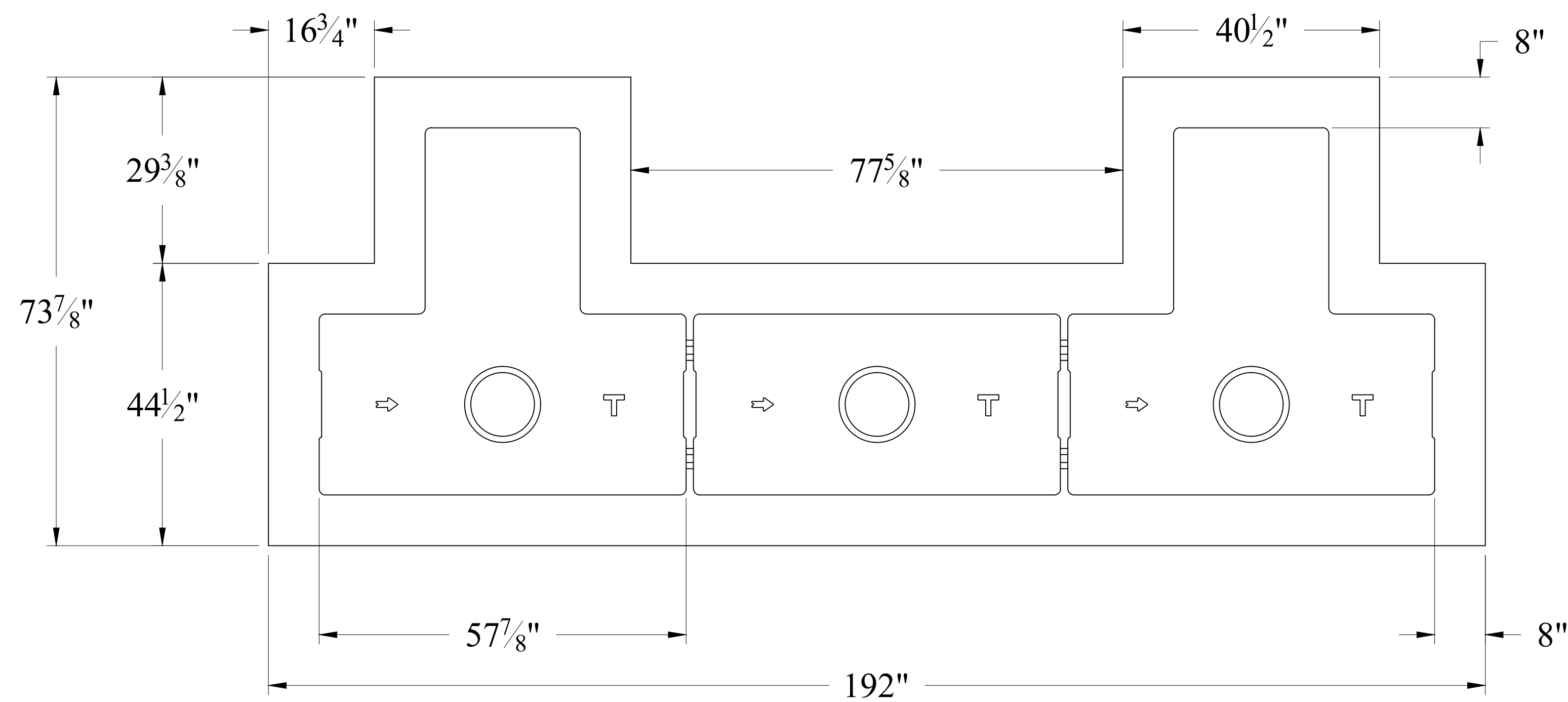
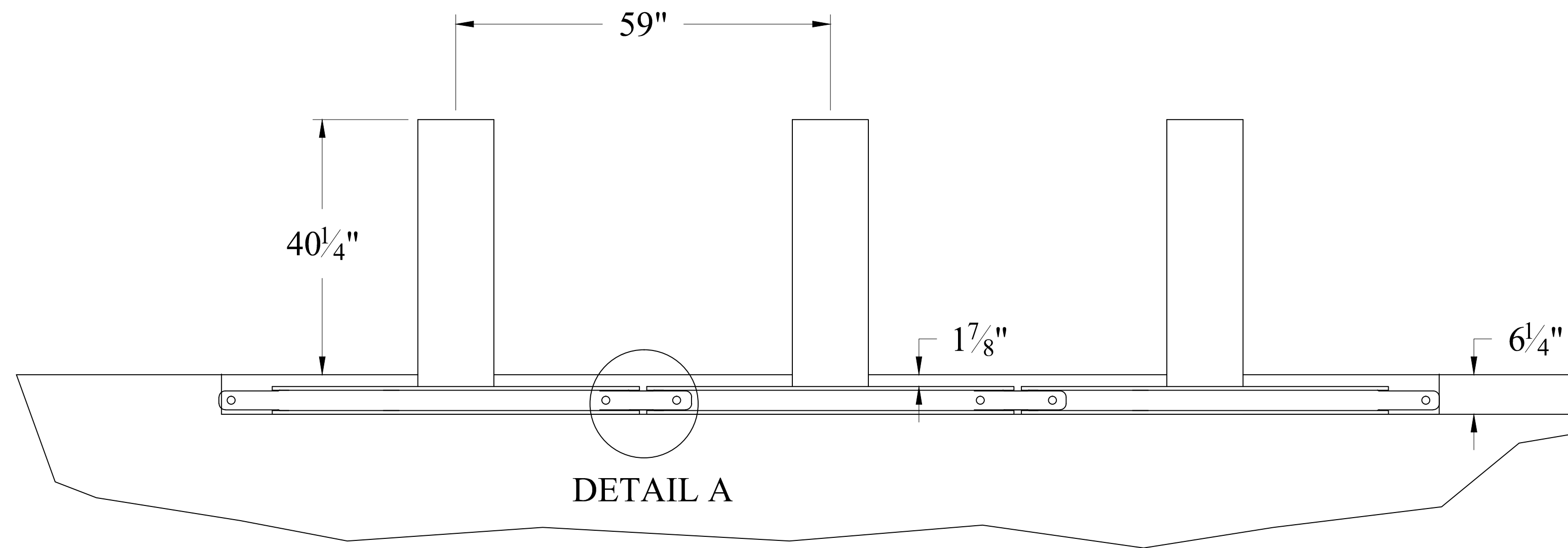


BOLLARD CONFIGURATION

NUMBER OF BOLLARDS: THREE (TWO 'T' SHAPED
FLANKING A STRAIGHT SECTION)

DEPTH OF FOUNDATION: 6-1/4"

BOLLARD SPECIFICATION	
BOLLARD MATERIAL	MILD STEEL
DIAMETER	12"
WALL THICKNESS	1"
HEIGHT ABOVE GROUND	40-1/4"



DETAIL A

REVISION HISTORY				TITLE: PAS 68 SHALLOW MOUNT BOLLARD	
REV	ECN	AUTHOR	DATE	DESCRIPTION	DATE: 04/16/13
B		DM	04/03/18	ADJUSTED AND DIMENSIONED EXCAVATION	SHEET: 1 of 1
					DRN BY: JAS
					REV: A
					DRAWING NO: PAS 68 GENERAL

Unless Noted Otherwise
 .x Decimal ± .040 DO NOT SCALE
 .xx Decimal ± .030 OFF DRAWING
 .xxx Decimal ± .020
 .xxxx Decimal ± .010 Angular ± 0.5°

PROPRIETARY INFORMATION
 This drawing is the proprietary property of AMERISTAR, Tulsa, OK and must not be duplicated or used in whole or in part for the making of drawings, prints or parts to the detriment of, or harm to, the owner. In accepting this drawing, the recipient agrees to keep the information contained confidential.

1555 N. Mingo
 Tulsa, OK 74116
 1-888-333-3422
 www.ameristarfence.com

