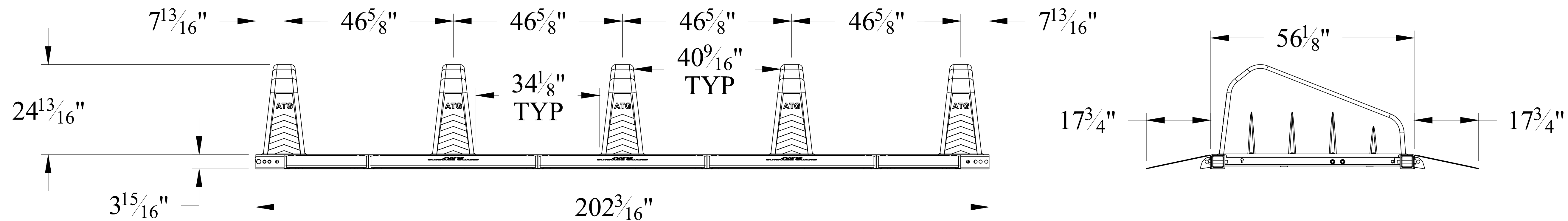
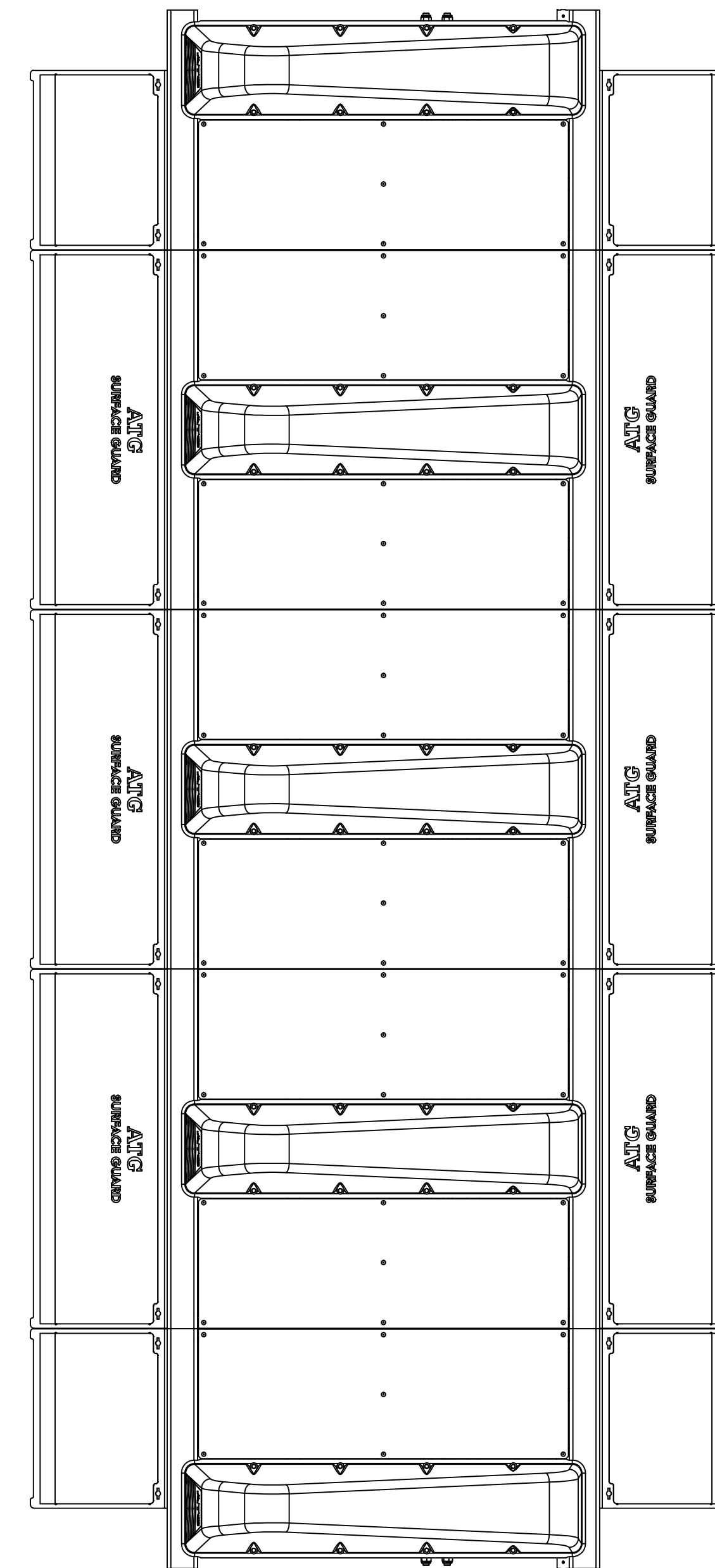
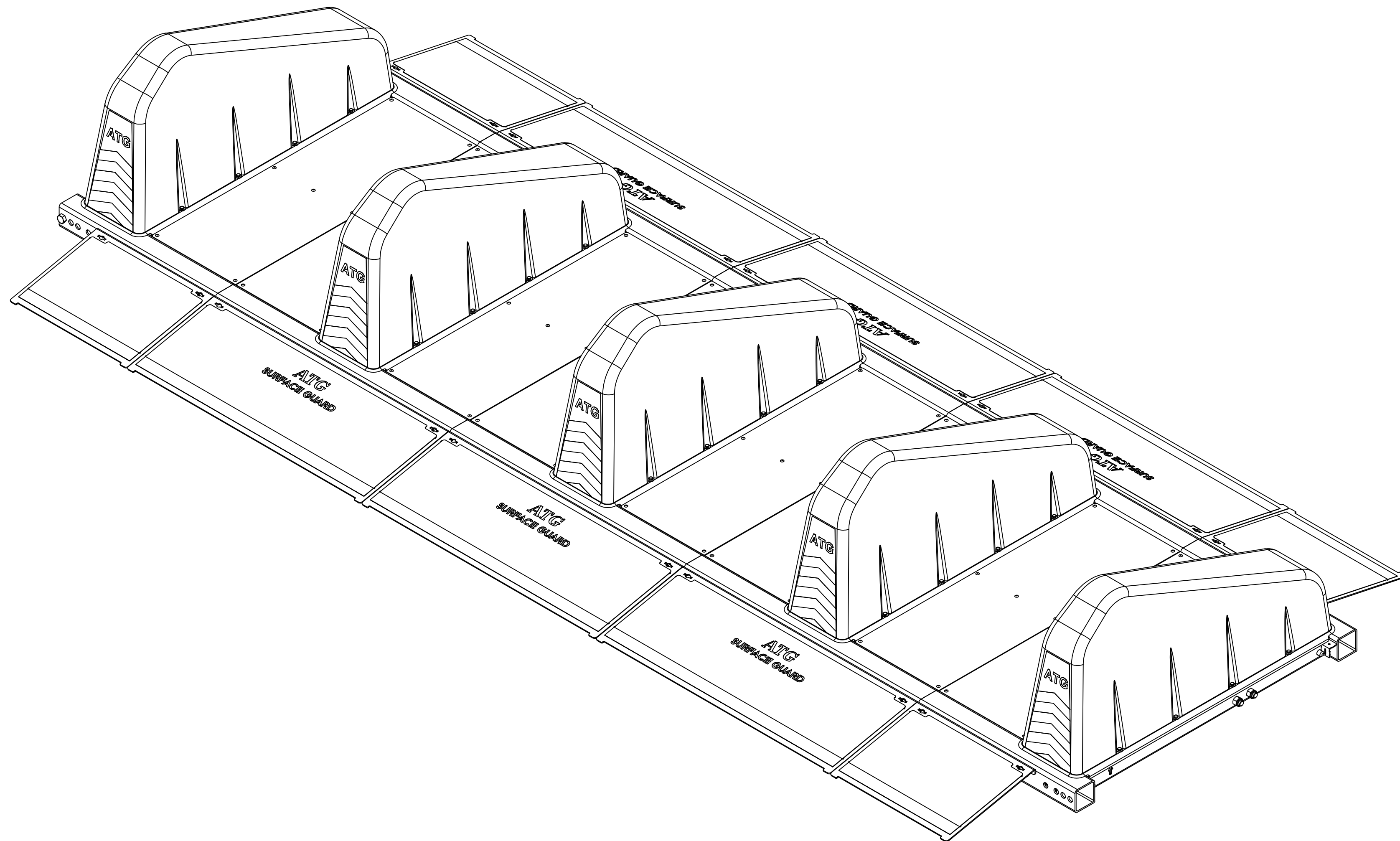


NOTES:

1. THE SURFACE GUARD IS CERTIFIED UNDER IWA-14-1:2013
2. TYPICAL CONFIGURATION WITH (5) UNITS SHOWN.
OTHER CONFIGURATIONS ARE AVAILABLE.
3. BASE IS HOT DIP GALVANIZED FOR CORROSION PROTECTION
4. GREY COVER IS STANDARD
5. CONSTRUCTION AND INSTALLATION BY OTHERS; SUCH AS ROADWAY SURFACE.



Unless Noted Otherwise		DO NOT SCALE		PROPRIETARY INFORMATION	
.x	Decimal ± .040	DO NOT SCALE		This drawing is the proprietary property of AMERISTAR, Tulsa, OK and must not be duplicated or used in whole or in part for the making of drawings, prints or parts to the detriment of, or harm to, the owner. In accepting this drawing, the recipient agrees to keep the information contained confidential.	
.xx	Decimal ± .030	OFF DRAWING			
.xxx	Decimal ± .020				
.xxxx	Decimal ± .010	Angular ± 0.5°			
REVISION HISTORY					
REV	ECN	AUTHOR	DATE	DESCRIPTION	
A		INIT	DATE	Initial Release	
				TITLE: SURFACE GUARD ARCHITECTURE	
				DATE: 06/15/18	SHEET: 1 of 1
				DRN BY: DM	REV: A
				DRAWING NO:	


AMERISTAR[®]
 1555 N. Mingo
 Tulsa, OK 74116
 1-888-333-3422
 www.ameristarfence.com