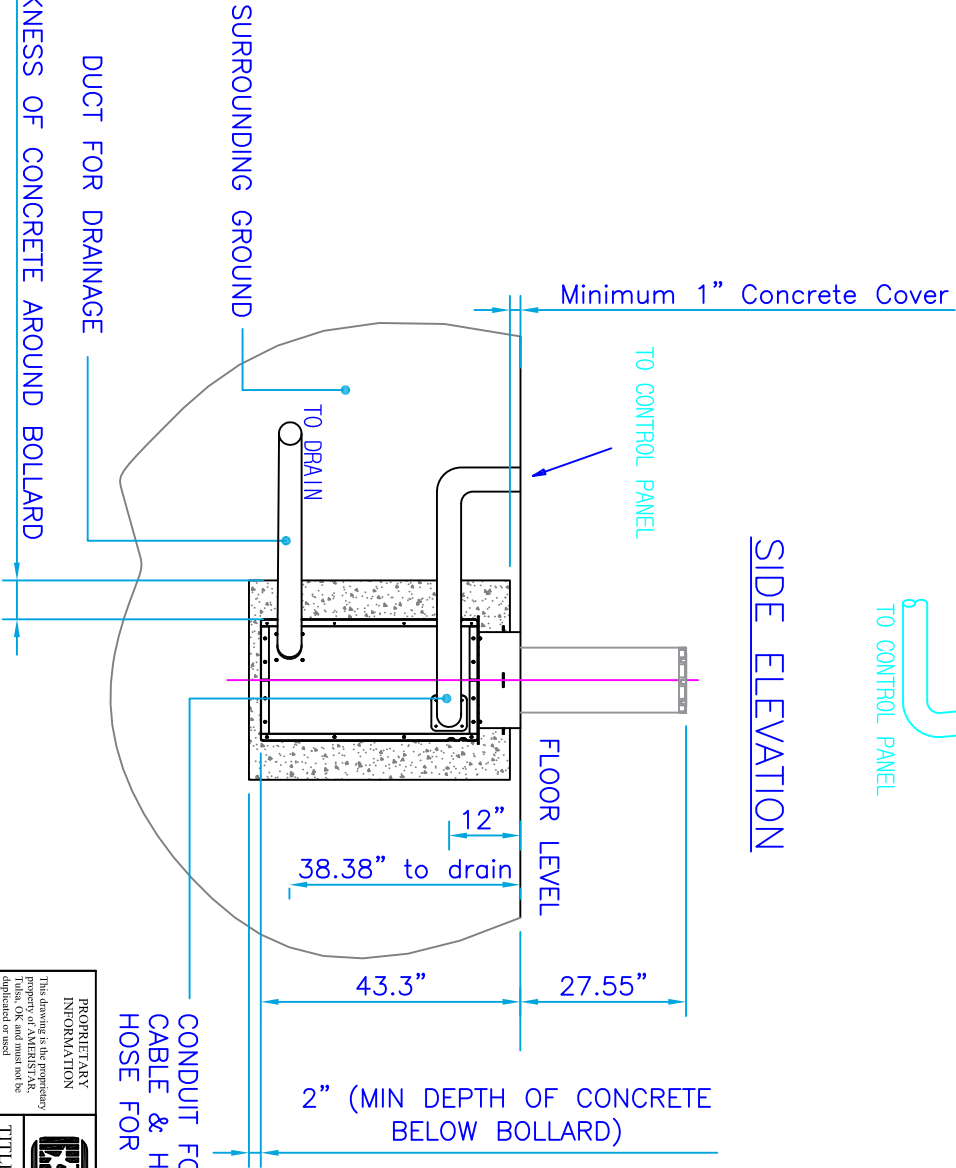


SIDE ELEVATION



**CONDUIT FOR ELECTRICAL
CABLE & HYDRAULIC
HOSE FOR CONTROL SYSTEM**

PROPRIETARY INFORMATION
 This drawing is the proprietary property of Ameristar. It is to be used only as indicated and is not to be duplicated or used in whole or in part for the making of drawings, prints or other documents without the written consent of Ameristar. In accepting this drawing, the recipient agrees to keep the information contained herein confidential.



1555 N. Mingo
 Tulsa, OK 74116
 1-888-333-4422
 www.ameristarfire.com

TITLE: GLOBOLL TYPICAL LAYOUT

DATE: _____ **SCALE:** _____ **SHEET:** 1/1

DRN BY: _____ **CHK BY:** xxxxxxxxxx **REV:** **a**

DRAWING NO.: _____

6" MIN THICKNESS OF CONCRETE AROUND BOLLARD